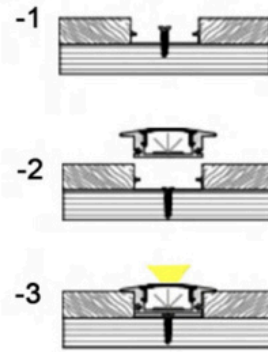


PVAC-F42

Specification



Installation steps



Accessories



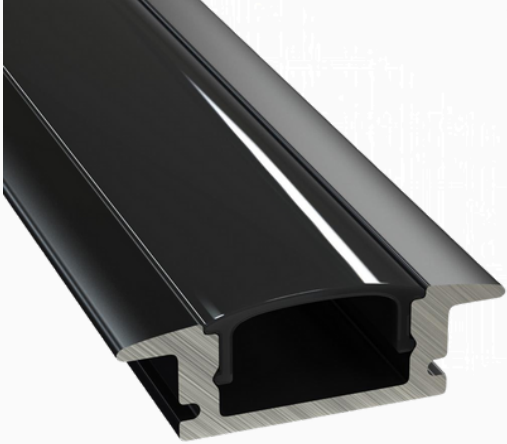
Finish: ●

Diffuser: ●

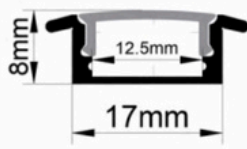


PVAC-F43


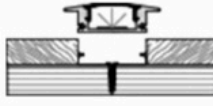

Specification




Dimension



Installation steps

- 1 
- 2 
- 3 

Accessories



Finish: ●

Diffuser: ●

