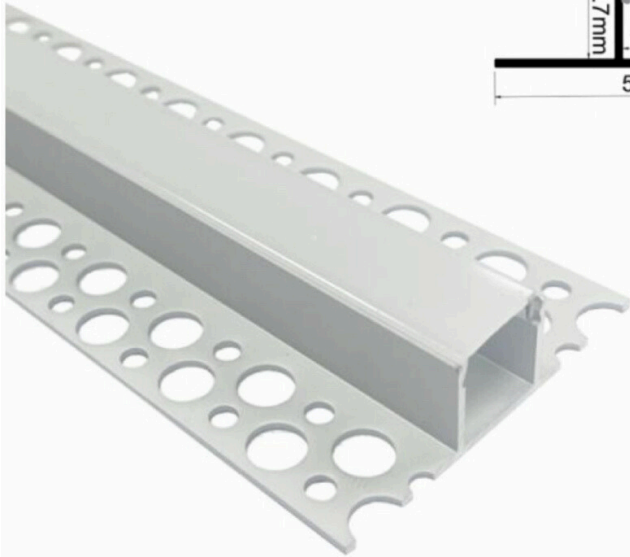
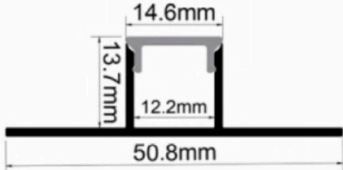


PVAC-F35




Specification



Dimension



Installation steps

- 1 
- 2 
- 3 

Finish: ●

Diffuser: ●

