



Product Code : PVG42-1W

Product Picture :



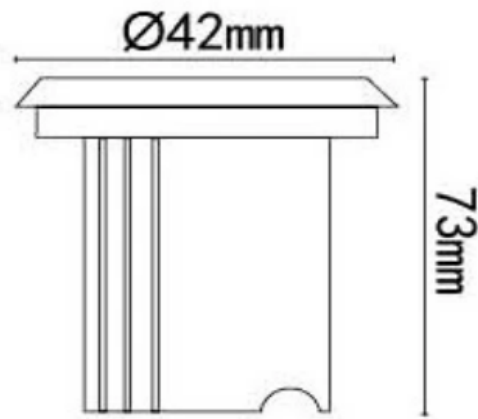
Product Specifications:

Warranty(Year):	2
Input Voltage(V):	12 VDC
Lamp Luminous Flux(lm):	90-100
CRI (Ra>):	70
Working Temperature(°C):	-40 to 45
Working Lifetime(Hour):	100000
Lamp Body Material:	Stainless Steel
IP Rating:	IP67
Certification:	CE, FCC, RoHS,ETL
Light type:	LED
Material:	Stainless Steel
Color Temperature(CCT):	WW/PW/CW
LED Light Source:	Bridgelux
Lamp Luminous Efficiency(lm/w):	90
Dimension:	∅42*H73mm
Hole size	∅40*H75mm
Net/Gross weight	0.2kg/0.23kg
Packing size:	36*36*23cm/20pc

Product Advantages:

- 1.High pressure casting aluminum housing, thickness 2.5-4mm
- 2.Tempered glass, Thickness:8-12mm
- 3.High temperature resistant Special silicon-rubber sealing belt for using in Canada temperature
- 4.Embedded stainless steel screw out
- 5.Nickle water proofjoint

Product Drawing:



Product Energy Consuming Grade: "PICOVOLT Approach"



Product Applications:

