



Product Code : PVG210-10W

Product Pic :



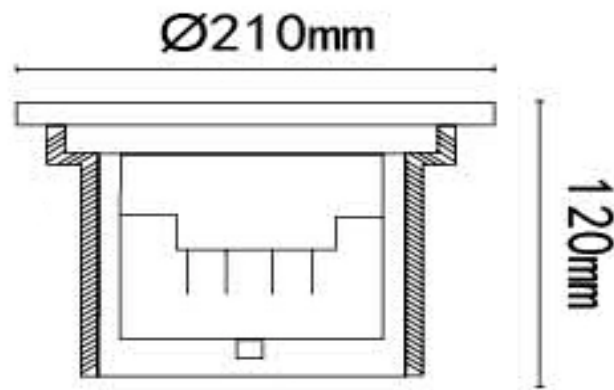
Product Specifications:

Warranty(Year):	2
Input Voltage(V):	12 VDC
Lamp Luminous Flux(lm):	3240
CRI (Ra>):	75
Working Temperature(°C):	-40 to 45
Working Lifetime(Hour):	100000
Lamp Body Material:	Stainless Steel
IP Rating:	IP67
Certification:	CE, FCC, RoHS,ETL,CCC
Light type:	LED
Material:	Stainless Steel
Color Temperature(CCT):	WW/PW/CW
LED Light Source:	Bridgelux
Lamp Luminous Efficiency(lm/w):	90
Dimension:	∅210*H120mm
Hole size	∅195*H125mm

Installation and construction matters Demand:

1. Before the fastening screws must check whether the glass placed in the correct position .
2. Fastening screws should pay attention to the step by step symmetrical locking, avoid one of the fully locked and then lock the other one
3. while install the lamp body ,Avoid the dust into the lamp body, especially the ring position, otherwise it will affect the waterproof
4. Outdoor construction and installation, should pay attention to the opening size as close as possible to the lamp tube size, less than the size of the face cover
5. Hole depth of more than 10-20cm should be more than part of the lamp body, the sand filled with good drainage, and pay attention to the hole bottom ask smooth drainage

Product Drawing:



Product Applications:

